

GEAR PUMP MANUFACTURING

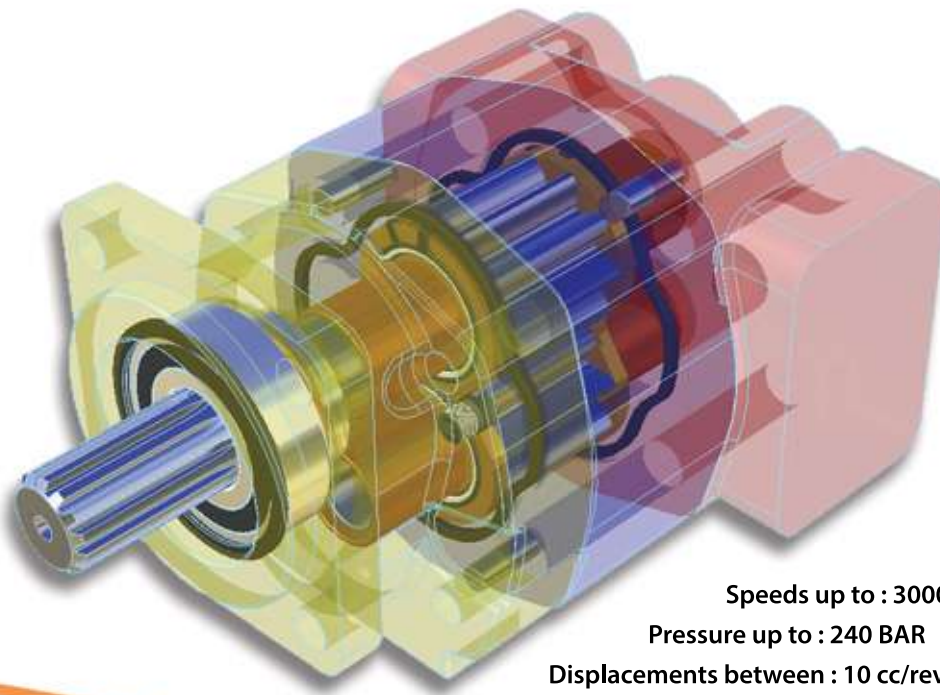
Getting the World into Gear

Bushing Range

SERIES: 215; 230; 250; 265

HYDRAULIC:

- PUMPS
- MOTORS
- FLOW DIVIDERS
- ADD-A-PUMPS
- STEP DOWN PUMPS
- SPARE PARTS



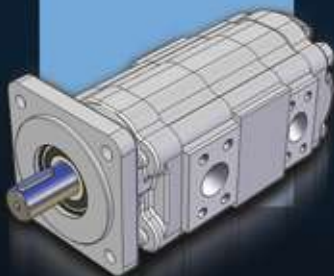
Speeds up to : 3000 RPM

Pressure up to : 240 BAR

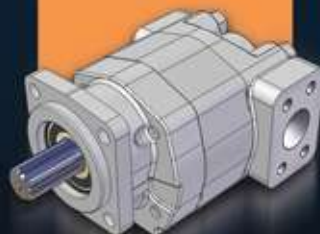
Displacements between : 10 cc/rev - 147 cc/rev

Complete product range:

BEARING PUMPS



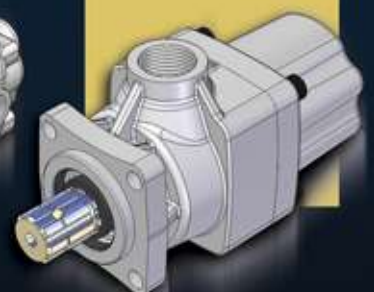
BUSHING PUMPS



PTO GEAR PUMPS

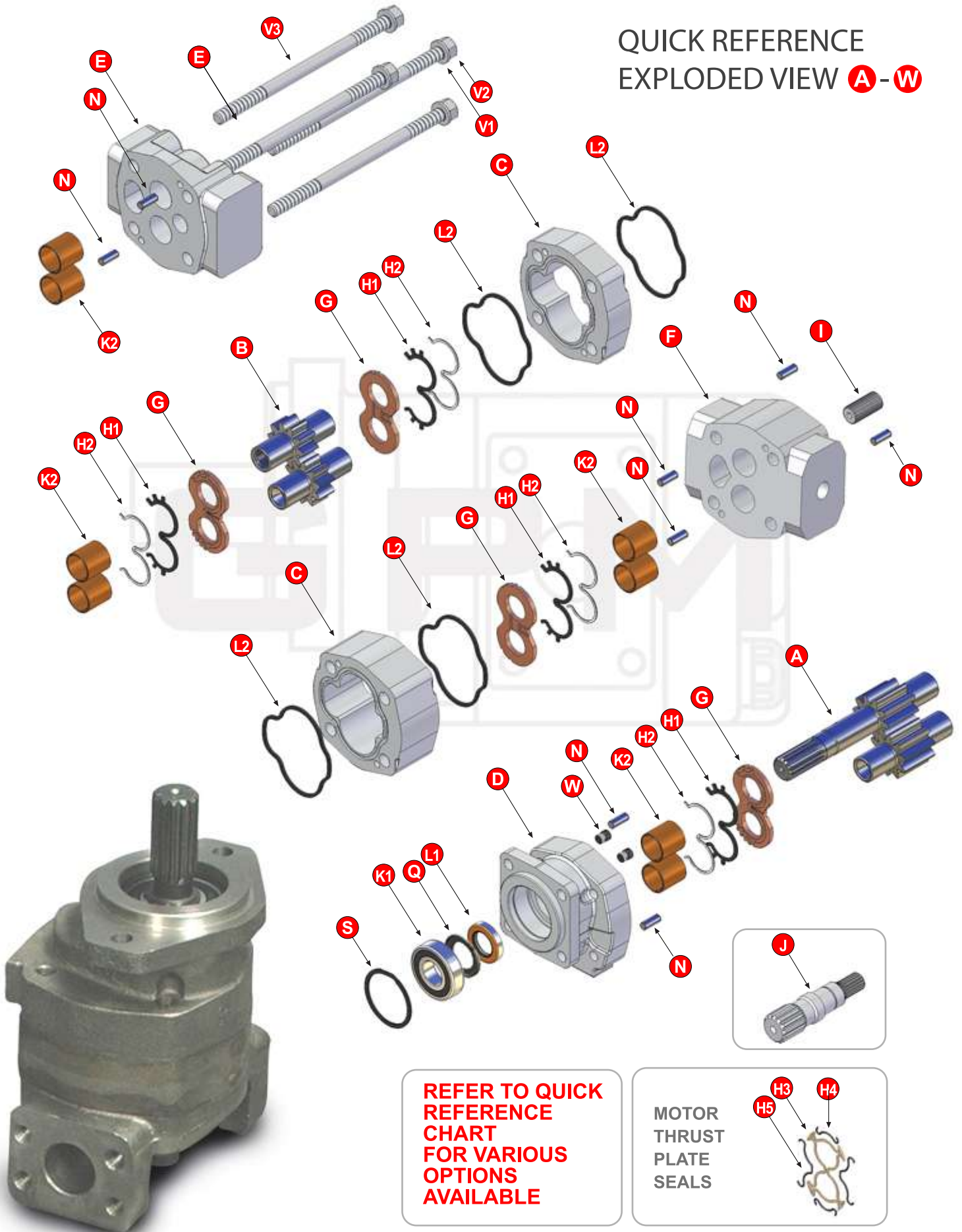


PTO PISTON PUMPS



Bushing Range

QUICK REFERENCE EXPLODED VIEW A - W



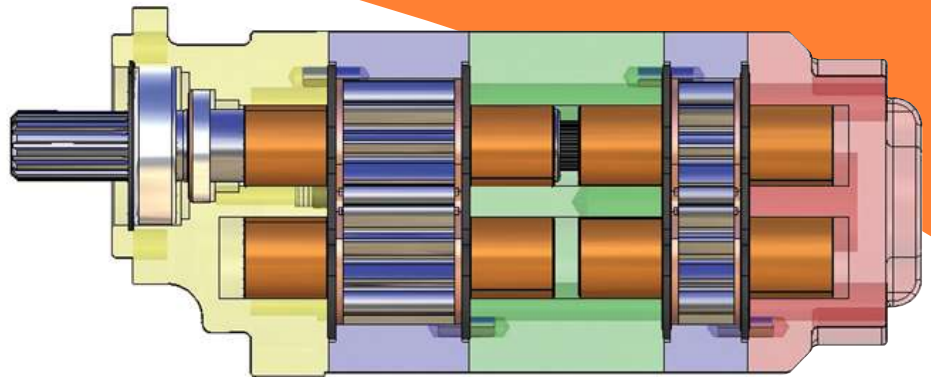
All product listed herein is product manufactured and/or supplied by Gear Pump Manufacturing (Pty) Limited (GPM), a South African manufacturer and supplier of replacement parts and components.
 "Commercial Intertech" is a registered trademark or copyright of the Parker Hannifin Corporation (Parker). Any reference to this entity, its trademark, copyright, product or reference number, is for product comparison and reference purposes only and as such, any referral thereto, should not be construed as implying in any way that Parker product is manufactured or supplied by GPM or that GPM is in any way associated with Parker.

Copyright © 2015 Gear Pump Manufacturing (Pty) Limited. All Rights Reserved. No part of this document may be reproduced in any form or manner without permission.

SABS
ISO 9001

Manufactured in South Africa

PUMP & MOTOR SPECIFICATIONS



Manufactured in South Africa

CODE

| DASH SIZE GEAR WIDTH | -05 0.50"(1/2") | -07 0.75"(3/4") | -10 1.00"(1") | -12 1.25"(1 1/4") | -15 1.50"(1 1/2") | -17 1.75"(1 3/4") | -20 2.00"(2") | -22 2.25"(2 1/4") | -25 2.50"(2 1/2") |
|--------------------------|--------------------|--------------------|------------------|----------------------|----------------------|----------------------|------------------|----------------------|----------------------|
| 215 | | | | | | | | | |
| Gear Housing Width | 0.88"(7/8") | 1.13"(11/8") | 1.38"(13/8") | 1.63"(15/8") | 1.88"(17/8") | 2.13"(21/8") | 2.38"(23/8") | | |
| cc/rev | 10.00 | 15.00 | 20.00 | 25.00 | 30.00 | 35.00 | 40.00 | | |
| Lpm (at 1000rpm) | 10.00 | 15.00 | 20.00 | 25.00 | 30.00 | 35.00 | 40.00 | | |
| cu in (cu in/rev) | 0.61 | 0.92 | 1.22 | 1.59 | 1.84 | 2.15 | 2.44 | | |
| US gpm (at 1000rpm) | 4.23 | 6.37 | 8.51 | 10.65 | 12.76 | 14.90 | 17.04 | | |
| Max Pressure (bar) | 240 | 240 | 240 | 240 | 220 | 200 | 170 | | |
| Max Pressure (psi) | 3500 | 3500 | 3500 | 3500 | 3200 | 2900 | 2500 | | |
| Max Speed (rpm) | 3000 | 3000 | 3000 | 3000 | 3000 | 3000 | 3000 | | |
| Pump Weight (kg) | 8.00 | 8.00 | 8.00 | 8.50 | 9.00 | 9.50 | 10.00 | | |
| Additional sect add (kg) | 8.00 | 8.00 | 8.00 | 8.50 | 9.00 | 9.50 | 10.00 | | |
| 230 | | | | | | | | | |
| Gear Housing Width | 1.00"(1") | 1.25"(1 1/4") | 1.50"(1 1/2") | 1.75"(1 3/4") | 2.00"(2") | 2.25"(2 1/4") | 2.50"(2 1/2") | | |
| cc/rev | 16.00 | 24.10 | 32.20 | 40.30 | 48.30 | 56.40 | 64.50 | | |
| Lpm (at 1000rpm) | 16.00 | 24.10 | 32.20 | 40.30 | 48.30 | 56.40 | 64.50 | | |
| cu in (cu in/rev) | 0.99 | 1.48 | 1.97 | 2.46 | 2.96 | 3.45 | 3.94 | | |
| US gpm (at 1000rpm) | 4.23 | 6.37 | 8.51 | 10.65 | 12.76 | 14.90 | 17.04 | | |
| Max Pressure (bar) | 240 | 240 | 240 | 240 | 240 | 220 | 200 | | |
| Max Pressure (psi) | 3500 | 3500 | 3500 | 3500 | 3200 | 2900 | 2500 | | |
| Max Speed (rpm) | 3000 | 3000 | 3000 | 3000 | 3000 | 3000 | 3000 | | |
| Pump Weight (kg) | 16.00 | 16.00 | 16.00 | 16.60 | 17.20 | 17.80 | 18.40 | | |
| Additional sect add (kg) | 14.40 | 14.40 | 14.40 | 14.90 | 15.50 | 16.00 | 16.60 | | |
| 250 | | | | | | | | | |
| Gear Housing Width | 1.00"(1") | 1.25"(1 1/4") | 1.50"(1 1/2") | 1.75"(1 3/4") | 2.00"(2") | 2.25"(2 1/4") | 2.50"(2 1/2") | 2.75"(2 3/4") | 3.00"(3") |
| cc/rev | 20.80 | 31.20 | 41.70 | 52.10 | 62.60 | 73.00 | 83.50 | 94.00 | 104.40 |
| Lpm (at 1000rpm) | 20.80 | 31.20 | 41.70 | 52.10 | 62.60 | 73.00 | 83.50 | 94.00 | 104.40 |
| cu in (cu in/rev) | 1.28 | 1.91 | 2.55 | 3.19 | 3.82 | 4.46 | 5.10 | 5.74 | 6.38 |
| US gpm (at 1000rpm) | 5.50 | 8.24 | 11.02 | 13.76 | 16.54 | 19.29 | 22.06 | 24.84 | 27.58 |
| Max Pressure (bar) | 240 | 240 | 240 | 240 | 240 | 220 | 200 | 190 | 170 |
| Max Pressure (psi) | 3500 | 3500 | 3500 | 3500 | 3500 | 3250 | 3000 | 2750 | 2500 |
| Max Speed (rpm) | 2400 | 2400 | 2400 | 2400 | 2400 | 2400 | 2400 | 2400 | 2400 |
| Pump Weight (kg) | 22.70 | 22.70 | 22.70 | 23.40 | 24.10 | 24.80 | 25.50 | 26.20 | 26.90 |
| Additional sect add (kg) | 22.70 | 22.70 | 22.70 | 23.40 | 24.10 | 24.80 | 25.50 | 26.20 | 26.90 |
| 265 | | | | | | | | | |
| Gear Housing Width | | 1.25"(1 1/4") | 1.50"(1 1/2") | 1.75"(1 3/4") | 2.00"(2") | 2.25"(2 1/4") | 2.50"(2 1/2") | 2.75"(2 3/4") | 3.00"(3") |
| cc/rev | | 44.00 | 59.00 | 73.50 | 88.00 | 102.00 | 118.00 | 132.60 | 147.00 |
| Lpm (at 1000rpm) | | 44.00 | 59.00 | 73.50 | 88.00 | 102.00 | 118.00 | 132.60 | 147.00 |
| cu in (cu in/rev) | | 2.68 | 3.60 | 4.49 | 5.37 | 6.22 | 7.20 | 8.09 | 8.97 |
| US gpm (at 1000rpm) | | 11.62 | 15.59 | 19.42 | 23.25 | 26.95 | 31.18 | 35.03 | 38.84 |
| Max Pressure (bar) | | 240 | 240 | 240 | 240 | 240 | 240 | 220 | 200 |
| Max Pressure (psi) | | 3500 | 3500 | 3500 | 3500 | 3500 | 3500 | 3250 | 3000 |
| Max Speed (rpm) | | 2400 | 2400 | 2400 | 2400 | 2400 | 2400 | 2400 | 2400 |
| Pump Weight (kg) | | 24.90 | 24.90 | 26.00 | 27.10 | 28.20 | 29.30 | 30.40 | 31.50 |
| Additional sect add (kg) | | 22.70 | 22.70 | 23.40 | 24.10 | 24.80 | 25.50 | 26.20 | 26.90 |

THE ABOVE DATA ARE AVERAGE RESULTS BASED ON A SERIES OF TESTS AND ARE NOT NECESSARILY REPRESENTATIVE OF ANY SINGLE UNIT. GEAR PUMP MANUFACTURING RESERVES THE RIGHT TO AMEND THE TECHNICAL DATA WITHOUT NOTICE.

| Useful Formulae | To Convert | Inches | Bar | Cu in/rev | US GPM | US GPM | kg |
|-----------------|-------------|-------------|------|-----------|-----------|--------|-------|
| | Into | Millimeters | Psi | cc/rev | Cu In/rev | cc/rev | lbs |
| | Multiply by | 25.4 | 14.5 | 16.39 | 2.31 | 3.785 | 2.205 |

GP = PUMP
GM = MOTOR
GF = FLOW DIVIDER
GA = ADD-A-PUMP
GB = STEP DOWN
GZ = PUMP / MOTOR COMBO

Bushing Range

QUICK REFERENCE - Parts list **A** to **G**

| | 215 | 230 | 250 | 265 |
|--|-------------|-----------------|-----------------|-----------------|
| SOLID SHAFT GEAR SET | | | | |
| 7/8" KEY SAE B | | ADC-230-?? | | |
| 7/8" KEY SHORT SAE B | ADK-215-?? | | | |
| 1" KEY SAE BB | | AEC-230-?? | ATF-250-?? | |
| 1 1/8" KEY (JCB) | | AHC-230-?? | | |
| 1 5/16" KEY with 7/8" UNF thread | | ATH-230-?? | | |
| 1 1/4" KEY SAE C | | | ASF-250-?? | AAG-265-?? |
| 22 MM KEY METRIC | AAO-215-?? | | | |
| 9 SPLINE 5/8" SHORT SAE A | AZK-215-?? | | | |
| 10 SPLINE 30mm OD | | | | AIR-265-?? |
| 11 SPLINE 3/4" | AGK-215-?? | | | |
| 13 SPLINE 7/8" SAE B | | ABC-230-?? | AVF-250-?? | ABG-265-?? |
| 13 SPLINE 7/8" SHORT SAE B | ABK-215-?? | ABC-230-4-?? | | |
| 13 SPLINE 7/8" XTRA SHORT (FORD) SAE B | | AFD-230-?? | | |
| 14 SPLINE 1 1/4" SAE C | | | APF-250-?? | ANG-265-?? |
| 14 SPLINE 1 1/4" SAE C LONG | | | | ANG-265-L-?? |
| 14 SPLINE (CLARK) 1 1/4" | | | ACL-250-?? | |
| 15 SPLINE 1" SAE BB | AAK-215-?? | AAC-230-?? | AAF-250-?? | |
| 17 SPLINE 1 1/8" (CASE) | | | ACF-250-?? | |
| TAPER (FORD) | AFR-215-?? | | | |
| TAPER 1:8 (GROUP 3) | AEK-215-?? | | | |
| TAPER 1:5 | ATK-215-?? | | | |
| FORD | | AFD-230-?? | | |
| LUBE PUMP - DOSCO SPL | ASK-215-?? | | | |
| **Substitute ?? with Gear Width Code | | | | |
| LOOSE GEAR SETS | | | | |
| STANDARD | BVK-215-?? | BVC-230-?? | BMF-250-?? | BPG-265-?? |
| **Substitute ?? with Gear Width Code | | | | |
| GEAR HOUSINGS | | | | |
| PUMP | CRK-215-?? | CRC-230-?? | CMH-250-?? | CSG-265-?? |
| MOTOR | CLK-215-?? | CSC-230-?? | CLF-250-?? | CLG-265-?? |
| **Substitute ?? with Gear Width Code | | | | |
| SHAFT END COVERS | | | | |
| 2 BOLT 3.25" SAE A | DWK-215 | DWC-230 | | |
| 2 BOLT 3.25" SAE A WITH S/RETAINER | DWK-215-SPL | | | |
| 2 BOLT 3.25" SAE A MOTOR | DWK-215-M | | | |
| 2 BOLT 4" SAE B | DGK-215 | DGC-230 | DRF-250 | DRG-265 |
| 2 BOLT 4" SAE B MOTOR | DGK-215-M | | | DRG-265-M |
| 2 BOLT 4" SAE B SHORT | | DGC-230-SH | | |
| 2 BOLT 4" XTRA SHORT (FORD) | | DFD-230 | | |
| 2 BOLT 5" SAE C | | DNC-230 | DNF-250 | DVG-265 |
| 2 BOLT 5" SAE C MOTOR | | | | DVG-265-M |
| 4 BOLT 4" SAE B | DEK-215 | DEC-230 | DHF-250 | DSG-265 |
| 4 BOLT 4" SAE B MOTOR | | | | DSG-265-M |
| 4 BOLT 5" SAE C | | DPC-230 | DKF-250 | DTG-265 |
| 4 BOLT 5" SAE C MOTOR | | | | DTG-265-M |
| 4 BOLT DIN PTO | | | DZF-250 | |
| 4 BOLT GROUP 3 EURO | DHK-215 | | | |
| 2/4 BOLT 4" SAE B | | | DDB-250-4 | |
| 2/4 BOLT 4" SAE B SHORT | | | DDB-250-4-SH | |
| 2/4 BOLT 5" SAE C | | | DDB-250-5 | |
| PAD MOUNT FAN MOTOR | DFK-215-M | | | |
| LUBE PUMP - DOSCO SPL | DSK-215 | | | |
| FORD - 3 BOLT 95.2 spigot | DFR-215 | | | |
| PORT END COVERS | | | | |
| PORTED | EUK-215 | EUC-230 | EWF-250 | EWG-265 |
| PORTED 4 PORT | EUK-215-4 | EUC-230-4 | EWF-250-4 | |
| TANDEM | EXK-215 | EXC-230 | EZF-250 | EYG-265 |
| MOTOR | EUK-215-M | EUC-230-M | EUF-250-M | EWG-265-M |
| MOTOR TANDEM | | | | EYG-265-M |
| FAN MOTOR | EPK-215-M | | | |
| FORD - WITH INLET TUBE | | EFD-230 | | |
| STEP DOWN CW | | EPB-230/215 CW | EPB-250/215 CW | EPB-265/230 CW |
| STEP DOWN CCW | | EPB-230/215 CCW | EPB-250/215 CCW | EPB-265/230 CCW |
| ADD A PUMP 2 BOLT A CW | | | EAAP250 2bA CW | EAAP265 2bA CW |
| ADD A PUMP 2 BOLT A CCW | | | EAAP250 2bA CCW | EAAP265 2bA CCW |
| ADD A PUMP 2 BOLT B CW | | | EAAP250 2bB CW | EAAP265 2bB CW |
| ADD A PUMP 2 BOLT B CCW | | | EAAP250 2bB CCW | EAAP265 2bB CCW |
| BEARING CARRIERS | | | | |
| 1 OUTLET | FYK-215-1 | FWC-230-1 | FTF-250-1 | FZG-265-1 |
| 2 OUTLET | FYK-215-2 | FWC-230-2 | FTF-250-2 | FZG-265-2 |
| MOTOR | FYK-215-M | FWC-230-M | FTF-250-M | FZG-265-M |
| 3" SUCTION | | | | FZG-265-3 |
| THRUST PLATES | | | | |
| PUMP | GCI-215 | GCI-230 | GCI-250 | GCI-265 |
| MOTOR | GM-215 | GM-230 | GM-250 | GM-265 |

All product listed herein is product manufactured and/or supplied by Gear Pump Manufacturing (Pty) Limited (GPM), a South African manufacturer and supplier of replacement parts and components.
 "Commercial Intertech" is a registered trademark or copyright of the Parker Hannifin Corporation (Parker). Any reference to this entity, its trademark, copyright, product or reference number, is for product comparison and reference purposes only and as such, any referral thereto, should not be construed as implying in any way that Parker product is manufactured or supplied by GPM or that GPM is in any way associated with Parker.

Copyright © 2015 Gear Pump Manufacturing (Pty) Limited. All Rights Reserved. No part of this document may be reproduced in any form or manner without permission.

SABS
ISO 9001

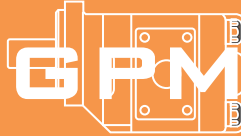
Manufactured in South Africa

QUICK REFERENCE - Parts list **H** to **W**

| | 215 | 230 | 250 | 265 |
|--|------------------|------------------|------------------|------------------|
| THRUST PLATE SEALS | | | | |
| H PUMP CHANNEL SEAL (H1) | HCI-215-CS | HCI-230-CS | HCI-250-CS | HCI-265-CS |
| PUMP CHANNEL SEAL BACKUP (H2) | HCI-215-CSBU | HCI-230-CSBU | HCI-250-CSBU | HCI-265-CSBU |
| MOTOR SEAL BACKUP (H3) | HM-215-MSBU | HM-230-MSBU | HM-250-MSBU | HM-265-MSBU |
| MOTOR END SEAL (H4) | HM-215-MES | HM-230-MES | HM-250-MES | HM-265-MES |
| MOTOR SIDE SEAL (H5) | HM-215-MSS | HM-230-MSS | HM-250-MSS | HM-265-MSS |
| CONNECTING SHAFTS | | | | |
| I STANDARD | I-ZK-215 | I-ZC-230 | I-YF-250 | I-AG-265 |
| STEP DOWN | | IPB-230/215 | IPB-250/215 | IPB-265/230 |
| ADD A PUMP with 9 SPLINE | | | IAAP-250/9SPL | IAAP-265/9SPL |
| ADD A PUMP with 13 SPLINE | | | IAAP-250/13SPL | IAAP-265/13SPL |
| ADD A PUMP with 15 SPLINE | | | | IAAP-265/15SPL |
| DIN/SAE B COUPLING | I-DIN/SAE B | I-DIN/SAE B | I-DIN/SAE B | |
| LOOSE SHAFTS | | | | |
| J 7/8" KEY | | JCK-230 | | |
| 7/8" KEY LONG | | JCK-230-L | | |
| 1" KEY | JGD-215 | JCD-230 | | |
| 1" KEY LONG | JGD-215-L | | | |
| 1 1/8" KEY | | JHH-230 | JHH-250 | |
| 1 1/4" KEY | | JCW-230 | JAC-250 | JLG-265 |
| 1 1/4" KEY with 1/2" thread | | | JKE-250 | |
| 6 SPLINE 1 1/4" | | JKD-230 | | |
| 8 SPLINE DIN | | | JDI-250 | |
| 14 SPLINE 1 1/4" SAE C | | JCH-230 | JAP-250 | |
| 15 SPLINE 1" SAE BB | | | JFG-250 | |
| 17 SPLINE Komatsu 1 1/2" | | | | JKG-265 |
| BEARINGS / BUSHES | | | | |
| K BUSHES (K2) | KBUSH-215 | KBUSH-230 | KBUSH-250 | KBUSH-265 |
| SHAFT BALL BEARING (K1) | | KX-131-40 | KX-151-58 | KX-176-59 |
| ADD A PUMP | | | KAAP-250/265 | KAAP-250/265 |
| SEALS | | | | |
| L BODY SEALS | LUB-215-239 | LUB-131-242 | LUB-250-244 | LUB-265-250 |
| MOTOR BODY SEAL | LUB-215-239M | | | |
| PUMP SEAL STANDARD | LX-215 | LX-131-16 | LX-151-17 | LX-176-10 |
| MOTOR SEAL STANDARD | LX-215-M | LX-131-9 | LX-151-8 | LX-176-1 |
| PUMP SEAL TELLTALE | | | LPA-250-TT | |
| PUMP SEAL LOOSE SHAFT | | LX-131-18 | | |
| MOTOR SEAL LOOSE SHAFT | | LX-131-11 | | |
| PUMP SEAL VITON | | LX-131V-16 | LX-151V-17 | LX-176V-10 |
| RETAINERS | | | | |
| M SEAL RETAINER MOTOR | MFR-215 | | | |
| SEAL RETAINER LUBE PUMP - DOSCO SPL | MSK-215 | | | |
| SEAL RETAINER TELLTALE | | MNA-230-1 | MPA-250 | MTT-265 |
| DOWELS | | | | |
| N STANDARD | NDOWEL-215 | NDOWEL-131 | NDOWEL-131 | NDOWEL-265 |
| MOTOR | | | | NDOWEL-265M |
| SPACERS | | | | |
| Q SEAL SPACER | QAE-215 | QAE-131 | QAC-151 | |
| BEARING SPACER | | QVB-131-2 | QVB/AC-151 | QVB-176 |
| SHAFT SPACER (CONTI) | | QTB-131 | | QAF-176 |
| KEYS | | | | |
| R 7/8" SHAFT | RX-18 | RX-18 | RX-18 | |
| 1" SHAFT | RX-16 | RX-16 | RX-16 | |
| 1 1/8" SHAFT | | RX-54 | RX-54 | |
| 1 1/4" SHAFT | | RX-19 | RX-19 | RX-19 |
| 1:8 TAPER SHAFT (AEK) | RX-506 | | | |
| 1:5 TAPER SHAFT (ATK/AFR) | RX-505 | | | |
| SNAP RINGS / CIRCLIPS | | | | |
| S SHAFT | | SX-131-100 | SX-151-125 | SX-176-137 |
| SHAFT END COVER | SX-215 | SX-131-206 | SX-151-283 | SX-176-315 |
| ADD A PUMP | | | SAAP250/265 | SAAP250/265 |
| FASTENERS | | | | |
| V BOLTS | VBOLT 1/2" X ? | VBOLT 5/8" X ? | VBOLT 5/8" X ? | VBOLT 5/8" X ? |
| NUTS | VNUT 1/2" | VNUT 5/8" | VNUT 5/8" | VNUT 5/8" |
| WASHERS | VWASHER 1/2" | VWASHER 5/8" | VWASHER 5/8" | VWASHER 5/8" |
| WASHERS 265 MOTOR | | | | VWASHER 3/4" |
| STUDS 06"-11" EXTENDED THREAD ON ONE SIDE | VSTUD 1/2"X6-11 | VSTUD 5/8"X6-11 | VSTUD 5/8"X6-11 | VSTUD 5/8"X6-11 |
| STUDS 11"-16" EXTENDED THREAD ON ONE SIDE | VSTUD 1/2"X11-16 | VSTUD 5/8"X11-16 | VSTUD 5/8"X11-16 | VSTUD 5/8"X11-16 |
| STUDS 16"-21" EXTENDED THREAD ON ONE SIDE | VSTUD 1/2"X16-21 | VSTUD 5/8"X16-21 | VSTUD 5/8"X16-21 | VSTUD 5/8"X16-21 |
| STUDS 21"-26" EXTENDED THREAD ON ONE SIDE | VSTUD 1/2"X21-26 | VSTUD 5/8"X21-26 | VSTUD 5/8"X21-26 | VSTUD 5/8"X21-26 |
| **Substitute ? with Bolt Length (Imperial) | | | | |
| SMALL PARTS | | | | |
| W PLUG DRAIN | WX-131-11 | WX-131-11 | WX-131-11 | WX-131-11 |
| PLUG SHAFT END COVER | WT-131-1391 | WT-131-1391 | WT-131-1391 | WT-131-1391 |
| CHECK VALVES | WM-131-1391 | WM-131-1391 | WM-131-1391 | WM-131-1391 |

All product listed herein is product manufactured and/or supplied by Gear Pump Manufacturing (Pty) Limited (GPM), a South African manufacturer and supplier of replacement parts and components.
 "Commercial Intertech" is a registered trademark or copyright of the Parker Hannifin Corporation (Parker). Any reference to this entity, it's trademark, copyright, product or reference number, is for product comparison and reference purposes only and as such, any referral thereto, should not be construed as implying in any way that Parker product is manufactured or supplied by GPM or that GPM is in any way associated with Parker.

Copyright © 2015 Gear Pump Manufacturing (Pty) Limited. All Rights Reserved. No part of this document may be reproduced in any form or manner without permission.



GEAR PUMP MANUFACTURING

Manufacturing Plant (Cape Town)
15 Moody Ave, Epping 1, Cape Town, South Africa

GPM-US Distribution Center
210 Motor Scooter Drive, Nesbit, MS 38651, USA
Tel: 901 607 6071
SALES & TECHNICAL: randyp@gearpumpus.com

Website: www.gearpumpus.com



REPRESENTED BY:

SABS
ISO 9001

Manufactured in South Africa

A MEMBER OF THE **Hudaco** GROUP